

# Firewarm Insert Stoves



# Multi-Fuel Stoves

## Easy Installation using our Unique Patented Fixing Mechanism

The Firewarm Insert Stove can be installed into a standard solid fuel fireplace opening. Simply remove the fret and grate; slide the appliance into place and tighten the locking system to seal the stove to the fascia of the fireplace back panel. Removing the fireclay fireback is not necessary. This stove must not be installed into a chimney that serves any other heating appliance. Remember, remove the Firewarm Insert Stove and clean your chimney every year.

## Protect the Environment with Efficient Fuel Consumption

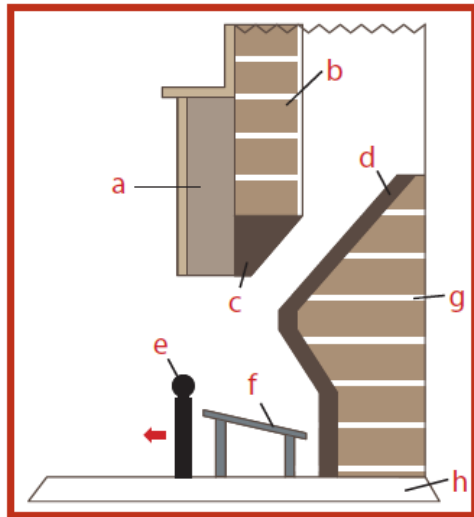
Depending on the chimney, open fires can be as low as 20% efficient; the majority of the heat produced goes straight up the chimney and out of the house. Stoves should deliver a minimum 65% efficiency, while some stoves can deliver up to 80% efficiency. This means that a quality stove will produce more heat, from less fuel, for longer, than an open fire. Naturally, this means that burning a stove is kinder to the environment, burning less fuel and delivering fewer products of combustion into the atmosphere.



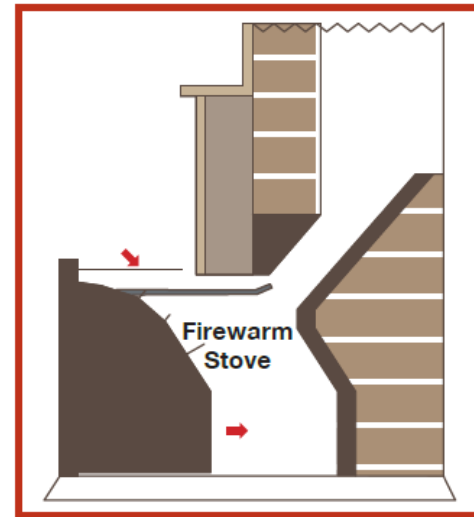
The **firewarm** range of multifuel stoves are ideal for burning wood, coal or peat. (the use of petrochemical fuel is not recommended)

Using the best in high temperature glass, combined with **firewarm** combustion technology delivers consistently clean glass for unrestricted viewing of the fire through the large glass window.

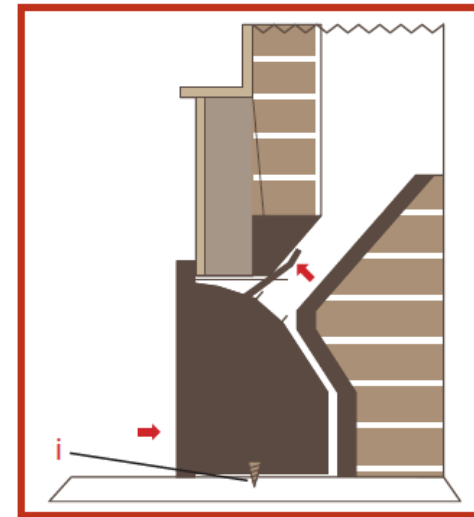
Step 1.



Step 2.



Step 3.



a. Fireplace Back Panel  
e. Fret

b. Chimney Breast  
f. Grate

c. Lintel  
g. Back Wall

d. Fireback  
h. Hearth

i. Securing Screw

## Heat Loss

When the fire is unlit, the Firewarm Insert Stove will prevent any room heat escaping up the chimney. This will improve the energy rating for your home. Most of our stoves carry the CE mark. This means they comply with the essential requirements of the relevant European health, safety and environmental protection legislation. They are CE approved when burning wood.



## Features

- Riddling system on all non-boiler models
- Secondary burn technology for increased efficiency
- Inner cast iron combustion chamber
- Primary and secondary air regulators
- Full cast iron construction
- Airwash technology
- Large ceramic glass door
- Top or rear outlet flue
- Adjustable leg height
- Ash pan with tool

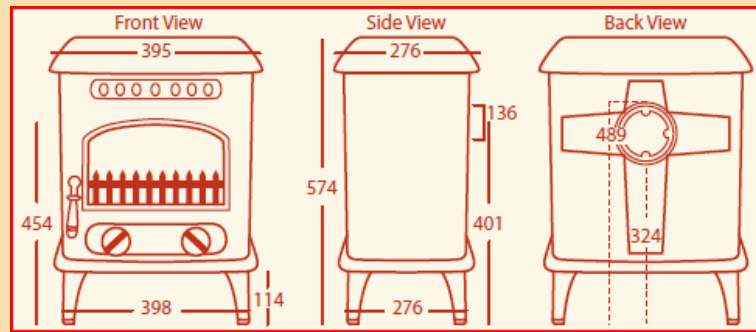


HETAS is the official UK Government body who approve solid fuel domestic heating appliances. You will find Firewarm Stoves on the HETAS list



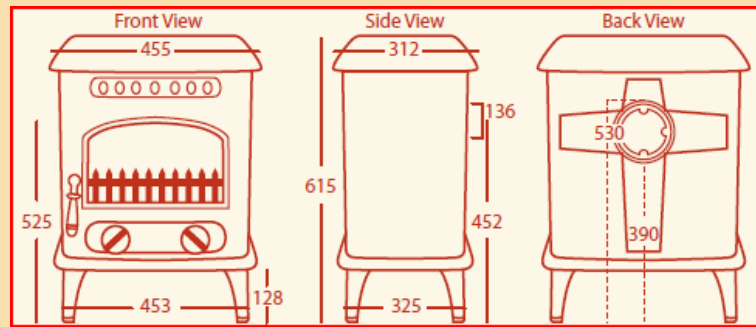
Non-boiler stove  
Weight 80Kg  
Output 4kW /  
14,000 BTU

**4 kW**



Non-boiler stove  
Weight 105Kg  
Output 6kW /  
21,000 BTU

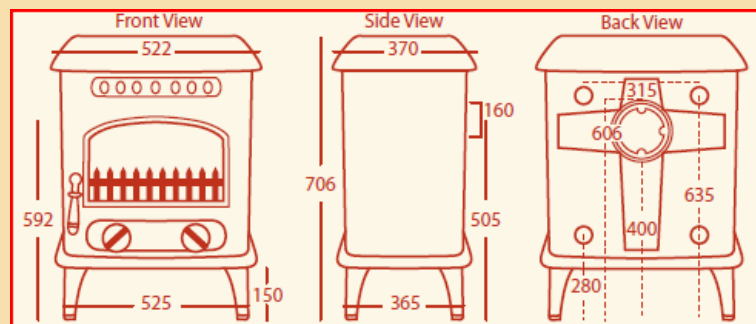
**6 kW**



Non-boiler stove  
Weight 136KG  
Output 8KW /  
25,000 BTU

**8 kW**

Integrated Boiler Stove  
Weight 135KG  
Output 5.2KW /  
18,200 BTU  
(3-4 radiators\* including Domestic Hot Water)  
Room Heat: 2.8KW / 9,800 BTU



firewarm 4



firewarm 8

\* Based on standard single radiators and depends on proximity to appliance



# Multi-Fuel Insert Stoves



### Features:

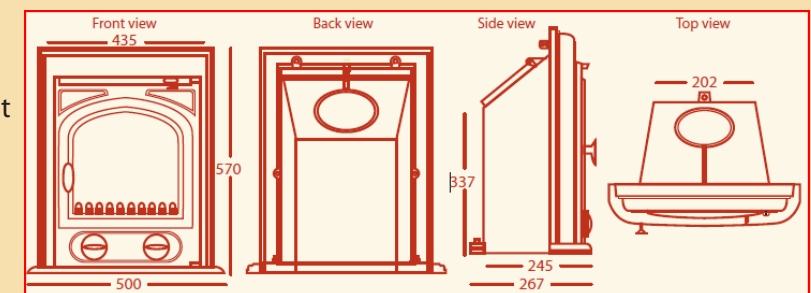
- Secondary burn technology for increased efficiency
- Inner cast iron combustion chamber
- Primary and secondary air regulators
- Full cast iron construction
- Airwash technology
- Large ceramic glass door
- Ash pan with tool
- Ideal for 'retro-fit' into existing fireplaces\*

18" spacer frame is available in black or polished, which allows fitting into a standard 18" opening



Weight 70KG  
Solid Fuel or Wood  
(Wood moisture content should be below 20% for optimum burning)  
Heat Output: 4 KW  
Finish: Matt Black

**4 kW**



\* Please check compatibility with supplier