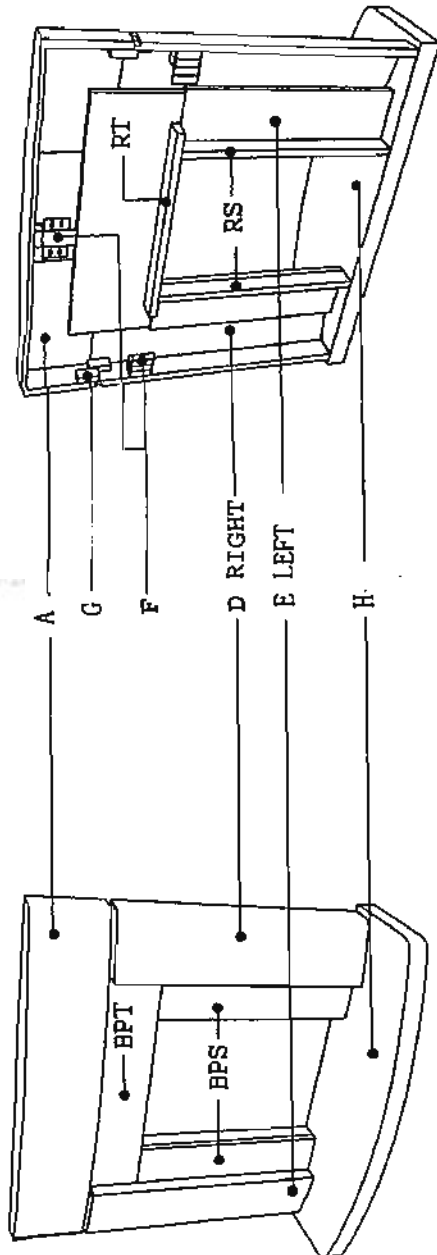


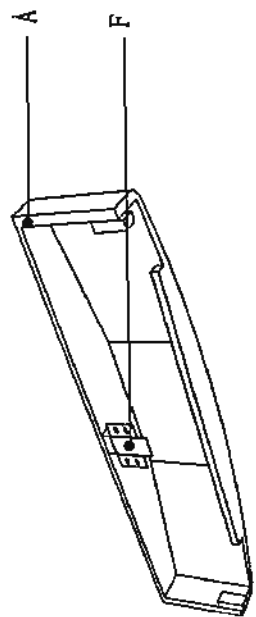
CLIFTON

FRONT VIEW

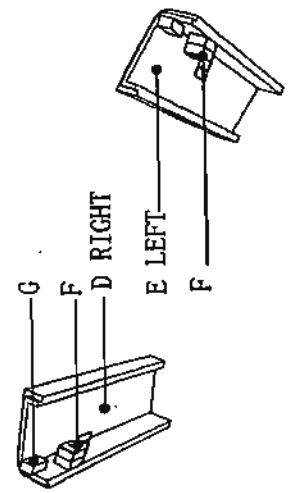


VIEW FROM BACK

VIEW UNDERNEATH SHELF



VIEW OF LEGS FROM ABOVE



COMPONENT DESCRIPTION

- A SHELF
- B FULL BEAM
- D LEG RIGHT
- E LEG LEFT
- F FIXING BLOCKS & BRACKETS
- G LOCATION LOCKING BLOCKS
- H HEARTH
- BPT BACK PANEL: TOP
- BPS BACK PANEL: SIDES
- RT REBATE TOP SLIP
- RS REBATE SIDE SLIP

FITTINGS CONTENTS

- 3 HOLDING / FIXING BRACKETS
 - 2 FIXING SCREWS (for leg fixing brackets)
 - 1 FIXING SCREW (for beam holding bracket)
 - 1 WALL BRACKET FOR BEAM
-
- 1 BACK PANEL: TOP
 - 2 BACK PANEL: SIDES
- } FACTORY FITTED FOR YOUR CONVENIENCE

Fitting Instruction for Stone related products

INTRODUCTION

WE WANT YOU TO ENJOY YOUR NEW FIREPLACE AT ITS' ULTIMATE BEST. WE HAVE TAKEN GREAT CARE SO THAT THE QUALITY OF YOUR UNIT LIVES UP TO YOUR EXPECTATIONS TO GIVE YOU TIMELESS PLEASURE AS A CENTRAL FEATURE WITHIN YOUR HOME.

YOUR PRODUCT WAS CAREFULLY PACKED TO ENSURE THAT IT ARRIVED WITH YOU IN PERFECT CONDITION. ALL WE ASK IS THAT YOU TAKE AS MUCH CARE DURING UNPACKING AND INSTALLATION.

WE STRONGLY RECOMMEND THAT STONE PRODUCTS ARE FITTED BY EXPERIENCED INSTALLERS USING BRACKETS AND SUITABLE ADHESIVE.

PLEASE TAKE A FEW MINUTES TO READ THROUGH THIS GUIDE BEFORE UNPACKING YOUR UNIT.

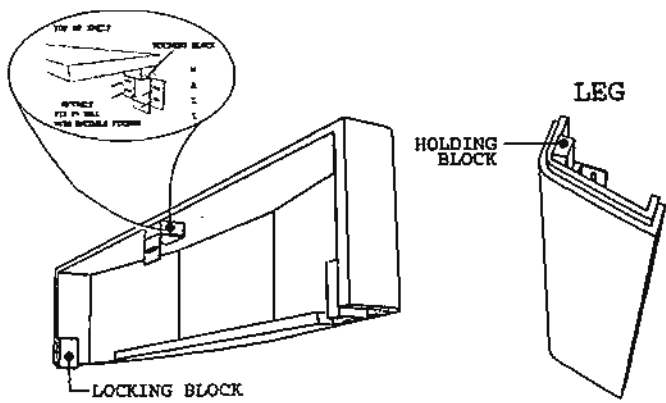
UNPACKING GUIDE

- **Never use a blade to remove packaging from components.**
- **Lay components onto carpet or other soft floor covering.**
- **Care should be taken to ensure the free lift of components where they are 'nested' together. This usually applies to the leg assemblies.**
- **Heavy components should be individually lifted by two people.**

PREPARATION TIPS

- **Ensure that the fitting area is clean and tidy and the existing surround is removed and wall repaired if necessary.**
- **If an electrical or gas appliance is to be fitted, the qualified installer should make appropriate preparations, as your new unit should be permanently & securely fixed into position.**
- **Check that you have the correct fastening screws & plugs to suit the build of the wall to be fitted.**
- **Use only white sand, cement and adhesives as Stone is porous so could be discoloured or stained.**
- **Familiarise yourself with all of the components and their fixings before commencing fitting.**

1



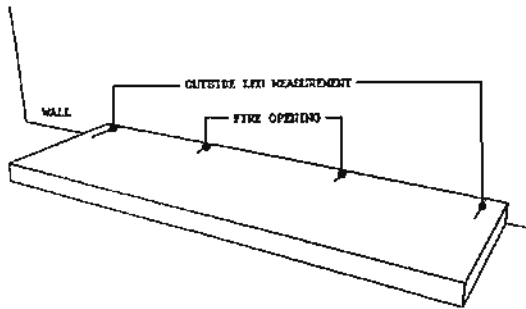
Familiarize yourself with the component parts and fixings method before commencing fit.

We strongly recommend that two people work together in the fitting of surround. These instructions are meant as a guide only. We cannot be held responsible for the competency of the installer.

If an electric or gas appliance is to be fitted a qualified installer should make appropriate preparations and commissions.

FOR EASE OF ASSEMBLY THE THREE PIECE BACK PANEL IS SUPPLIED WITH REBATE SLIPS ALREADY ATTACHED

2



The foam packaging makes an ideal cushioned floor.

➤The hearth to be used should always be firmly bedded into position using a white sand / cement mix.

➤The hearth should be central and a spirit level used to ensure that it is perfectly flat.

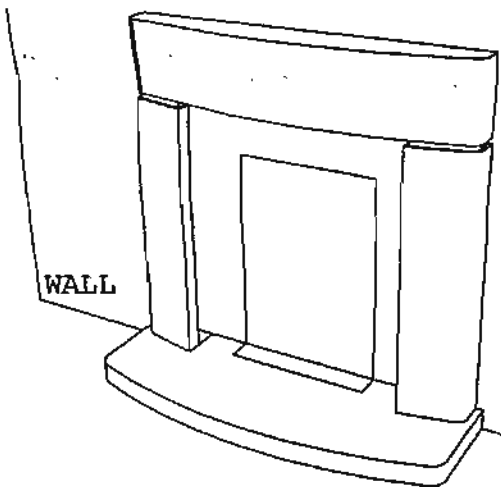
➤Mark placement of outside of legs and fire opening onto hearth to aid with placement.

Clifton & Durrington = 1120mm

42" Durrington = 990mm

Standard Cut Out = 420mm

3



CAREFULLY TRIAL FIT

➤Stand legs carefully onto the hearth aligning with placement lines.

➤Screw fix holding bracket to underside of beam block with screw supplied.

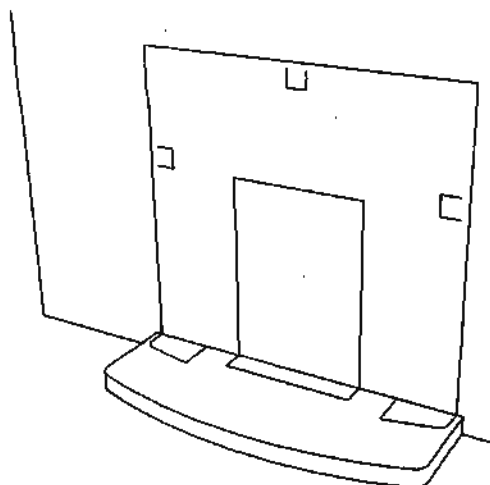
➤Carefully trial fit beam. Draw a line along the top to aid with adhesive application later and down the edges to aid with replacement positioning. Draw line around holding bracket through the fire opening to help with placement of the receiving wall bracket.

➤Accurately mark wall for fixing block of leg brackets through the fire opening.

➤Draw pencil lines on wall, down the outside of legs to aid exact placement later.

➤Check if wall needs to be chased.

4



➤Carefully remove components individually and return to 'cushioned' floor for safe keeping.

➤Always protect hearth while drilling, plugging and chasing wall.

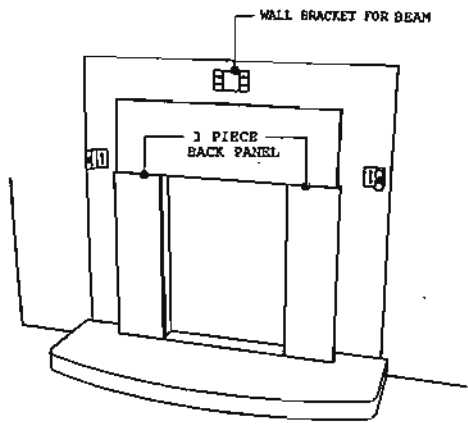
➤DO NOT STAND ON HEARTH

➤Drill and plug wall with suitable fittings to receive brackets.

➤Securely fit all brackets into position using suitable fixings.

please note : brackets fix internally and are not visual after fitting is completed. Please study diagrams above.

5

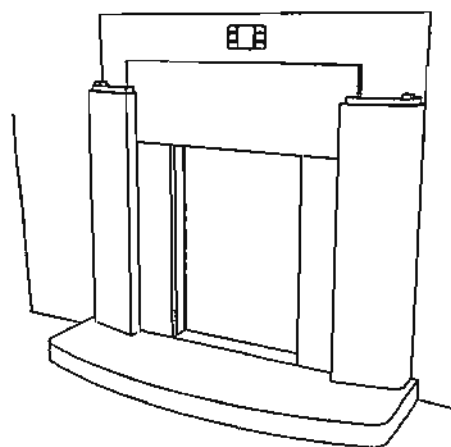


➤The back panel to be used should be fitted in place before fitting legs, taking care to protect the hearth from possible damage.

➤Remember : This unit has a 75mm rebate.

If an electric or gas appliance is to be fitted a qualified installer should make appropriate preparations and commissions.

6

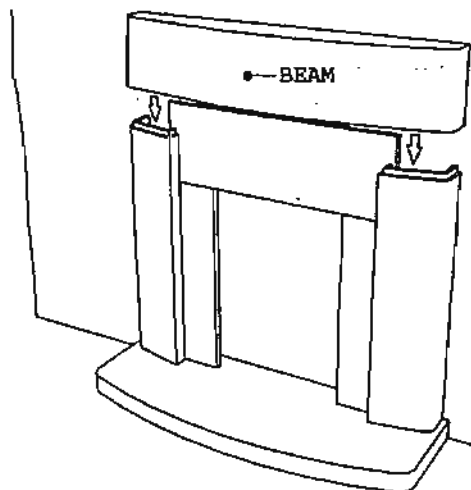


➤Place a line of adhesive on the wall on the inside of the penciled guide lines.

➤Carefully stand legs in position on hearth and bed into the adhesive while lining up brackets with previously plugged fixing blocks.

➤Fix into position with screws supplied.

7



➤Place a thin line of adhesive on the wall on the inside of the penciled guide line and very thinly along the inside edge of the top of legs.

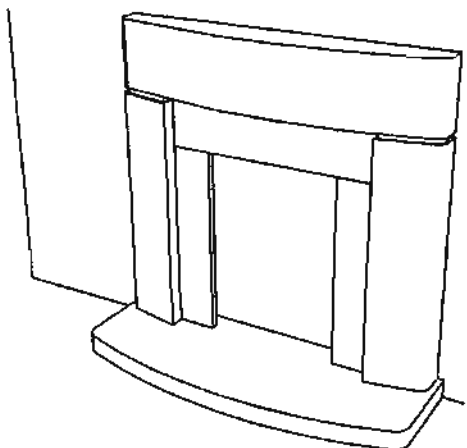
➤Taking care to ensure locking blocks are located on the inside of the legs, carefully lower beam into position, locating the holding bracket securely behind the slot of the previously fitted wall bracket.

B. OPTIONAL SHELF: (supplied with Durrington)

Using screws supplied, secure the straight brackets into pre-plugged blocks on back of shelf. Add thin, even lines of adhesive to beam top.

Taking care to ensure straight brackets are located behind beam, carefully lower shelf centrally into position.

8



➤Review final alignment.

➤Remove any visual pencil lines with a damp cloth or eraser.

➤Leave for 24hrs to allow damp patches and adhesive to dry out.

➤Test that the unit is securely fixed in position before use.

Natural Stones, Marbles & Granites

These beautiful materials, naturally formed over millions of years, have very individual features and characteristics encapsulated within them.

From inside the raging furnaces of a cooling world there are the flowing swirls & veins of the molten rocks and from the crashing shores of oceans of long ago, there are the shells & fossils nestled among the silt and shingle of ebbing tides.

Each of our pieces are hand crafted to show these natural materials at their best. They will form a unique centrepiece which will blend with the style & atmosphere of your home for years to come.

CARING FOR YOUR SURROUND

- Now that you have your new surround in place, we would like it to look just as good for years to come.
- It's surface will require only the minimum of maintenance.
- Dust down regularly with a soft, clean brush and occasionally wipe over with a damp cloth.

For Granites & Marbles including micro Marbles.

- Your surround is quite durable but should be protected from staining, and acidic liquids, such as red wines and lemon & orange juice – In the event of an accident, soak up residues immediately and wash down with a weak solution of regular household washing up liquid then buff with a soft dry cloth. Where staining has occurred, use a specialist cleaning kit, following the instructions given by the manufacturer.

For Real Stones

- Your unit has been treated with a sealer to help protect and maintain the surface. However it should be protected from staining. In the event of an accident, soak up any spillages immediately. Where staining has occurred, use a specialist stone cleaning and resealing kit, following the instructions given by the manufacturer.

The contents of this leaflet is for guidance only. We cannot be held responsible for the competence of the installer. We recommend that the fitting of all appliances should be carried out by registered installers, in accordance with B.S. and relevant building regulations.