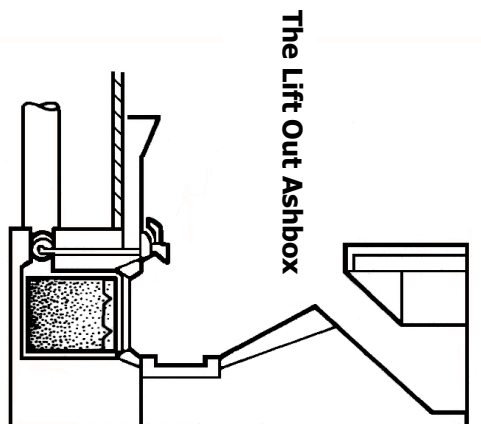
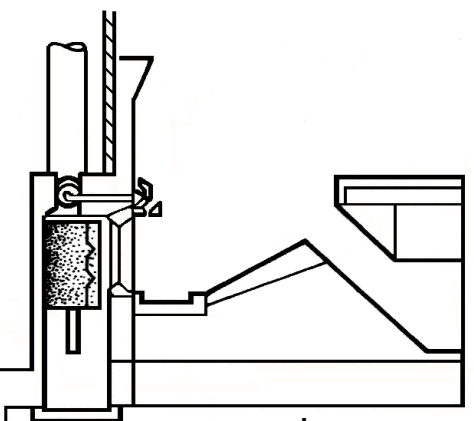




Choose from two models



The Lift Out Ashbox



The Outside Ashbox

#### BURNALL UNDERFLOOR DRAUGHT FIRE

THE BURNALL DRAWS AIR FROM BENEATH FLOOR LEVEL TO PROVIDE EFFICIENT BURNING OF ALL THE FUEL. CONTINUOUS BURNING IS AN OPTION USING THE OUTSIDE ASHBOX. THE BURNALL IS DESIGNED FOR USE WITH VARIOUS FUELS INCLUDING THE HARDER SMOKELESS FUELS AND LOGS. THE FIRE CAN BE INSTALLED ON THE GROUND FLOOR OF ANY TYPE OF HOUSE OR BUNGALOW WITH A CLASS 1 FLUE AND CAN BE FITTED INTO A NEW OR EXISTING SURROUND. THERE ARE FIVE SIZES OF BURNALL, 16" , 18" , 20" , 22" , 24" - WITH TWO METHODS OF ASH DISPOSAL, LIFT-OUT ASHBOX AND OUTSIDE ASHBOX. ALL MODELS CAN BE USED IN CONJUNCTION WITH A BACK BOILER FOR HOT WATER AND CENTRAL HEATING. DUNSLEY HEATING MAKE A BOILER (DUNSLEY/BAXI) SUITABLE FOR INSTALLATION WITH THE BURNALL FOR CENTRAL HEATING.

## The Burnall Range of Solid Fuel fires

Web - [www.percydoughty.co.uk](http://www.percydoughty.co.uk)

	Lift Out Ashbox	Outside Ashbox
<b>Room Heating Capacity</b>	The 16" Burnall will heat rooms up to 1750 cubic feet. The 18" Burnall will heat rooms up to 2,000 cubic feet. For larger rooms the 20" - 22" - 24" Burnall models should be used.	
<b>Grate size available in FIVE sizes!</b>	Actual Width Measurements for the grates available for the Burnall are as follows. (16") model grate measures - 13" (18") model grate measures - 16" (20") model grate measures - 16.5" (22") model grate measures - 18" (24") model grate measures - 20.5"	
<b>Continuous Burning Facility</b>	Not Suitable	Suitable for continuous burning
<b>Boiler Option</b>	Domestic Output Boiler for domestic hot water only. Dunsley/Baxi boiler recommended-central heating capacity for 5-6 radiators.	
<b>Standard Parts Supplied</b>	Fire Box, Top Frame, Fire Front, Grate Bottom, Deepening Bar, Damper Rod & Lever, Valve, Lifting Key, 0.6m Length of Air Pipe, Galvanised Mild Steel Ashbox, Outside Door & Frame*	
<b>Fire Front Finishes</b>	Pewter Lustre, Copper or Stainless Steel. (Matt Black is also available size 16" and 18" only)	
<b>Composition and Manufacture</b>	Cast Iron Fire box, top frame, fire front, grate bottom and deepening bar. Galvanised mild steel Ashbox.	
<b>Accessories: Burnall Throat Unit</b>	Controls the air change. (16" and 18" fires only!) Not suitable for use with a back boiler.	
<b>Burnall Tower Guards</b>	One size suitable for all 400 mm (16") and 450 mm (18") fires.	
<b>Burnall Canopy</b>	Available in simulated copper and stainless steel for all sizes.	
<b>Burnall Fire Fan</b>	Gives forced draught when natural air supply is inadequate.	
<b>Overnight Burning Plate</b>	Increases depth of fire bed. Available in 400 mm (16") and 450 mm (18") Finish: Black.	
<b>Optional Accessories</b>	Baby Bricks, Fire Front, Deepening Bar, Side Reducers, Back Air Adaptor, Inside Draught Collector, Outside Draught Collector, Smoke Trap.	

\* ONLY APPLICABLE TO THE OUTSIDE ASHBOX MODEL!